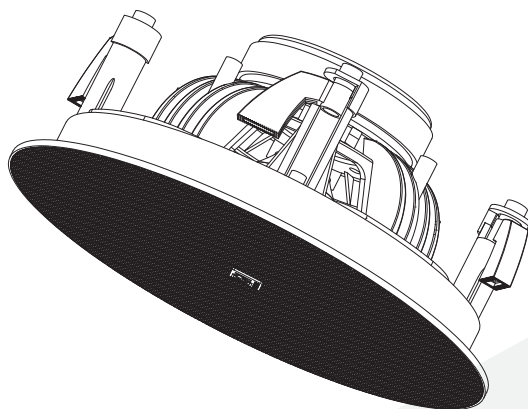


CELOXI



Introduction	03
High-end slim ceiling speaker.....	03
Precautions	04
Chapter 1	06
Installing the CELOxl.....	06
Technical specifications	08

ADDITIONAL INFORMATION

This manual is put together with much care, and is as complete as could be on the publication date. However, updates on the specifications, functionality or software may have occurred since publication. To obtain the latest version of both manual and software, please visit the Audac website @ audac.eu.



High-end slim ceiling speaker

Due to CELO High-end slim ceiling speaker series' slim grill design with a very thin border of only 1 mm and a limited grill depth which extrudes from the ceiling surface by only 3.2 mm, these speakers will become nearly invisible when mounted. To make them blend in even more, they can be painted in the same colour as the surrounding surface. This elegant and unobtrusive grill is held in place by means of powerful neodymium magnets, making assembly and disassembly very simple, but still reliable enough for keeping the grill in place during the complete lifetime of the loudspeaker.

When the grill is removed, it's clear for anyone to see that the CELO speakers are made by using only the highest quality materials, guaranteeing an unsurpassed sound experience. An elegant look with minimal visual impact is created by the slim grill with a very thin border, while great ease and installers convenience is guaranteed using the quick-fix mechanism with Gold-CON connectors. The grill is held in place using neodymium magnets, providing a quick and stable assembly.

READ FOLLOWING INSTRUCTIONS FOR YOUR OWN SAFETY

ALWAYS KEEP THESE INSTRUCTIONS. NEVER THROW THEM AWAY

ALWAYS HANDLE THIS UNIT WITH CARE

HEED ALL WARNINGS

FOLLOW ALL INSTRUCTIONS

NEVER EXPOSE THIS EQUIPMENT TO RAIN, MOISTURE, ANY DRIPPING OR SPLASHING LIQUID. AND NEVER PLACE AN OBJECT FILLED WITH LIQUID ON TOP OF THIS DEVICE

NO NAKED FLAME SOURCES, SUCH AS LIGHTED CANDLES, SHOULD BE PLACED ON THE APPARATUS

DO NOT PLACE THIS UNIT IN AN ENCLOSED ENVIRONMENT SUCH AS A BOOKSHELF OR CLOSET. ENSURE THERE IS ADEQUATE VENTILATION TO COOL THE UNIT. DO NOT BLOCK THE VENTILATION OPENINGS.

DO NOT STICK ANY OBJECTS THROUGH THE VENTILATION OPENINGS.

DO NOT INSTALL THIS UNIT NEAR ANY HEAT SOURCES SUCH AS RADIATORS OR OTHER APPARATUS THAT PRODUCE HEAT

DO NOT PLACE THIS UNIT IN ENVIRONMENTS WHICH CONTAIN HIGH LEVELS OF DUST, HEAT, MOISTURE OR VIBRATION

THIS UNIT IS DEVELOPED FOR INDOOR USE ONLY. DO NOT USE IT OUTDOORS

PLACE THE UNIT ON A STABLE BASE OR MOUNT IT IN A STABLE RACK

ONLY USE ATTACHMENTS & ACCESSORIES SPECIFIED BY THE MANUFACTURER

UNPLUG THIS APPARATUS DURING LIGHTNING STORMS OR WHEN UNUSED FOR LONG PERIODS OF TIME

ONLY CONNECT THIS UNIT TO A MAINS SOCKET OUTLET WITH PROTECTIVE EARTHING CONNECTION

THE MAINS PLUG OR APPLIANCE COUPLER IS USED AS THE DISCONNECT DEVICE, SO THE DISCONNECT DEVICE SHALL BE READILY OPERABLE

USE THE APPARATUS ONLY IN MODERATE CLIMATES

CAUTION

USE CABLES OF THE RIGHT GAUGE TO CONNECT THE LOUDSPEAKER

USE CABLES WITH CLEAR COLOUR CODING INDICATING THE POLARITY AND MAINTAIN THE SAME POLARITY THROUGHOUT THE WHOLE SYSTEM.

ONLY USE THE CORRECT AMPLIFIER OUTPUT VOLTAGE AND IMPEDANCE. EXCEEDING THESE LIMITS COULD CAUSE FIRE OR OTHER FAILURES.

AVOID EXPLOSIONS: DO NOT USE THE SPEAKER AROUND GASOLINE, THINNER OR OTHER COMBUSTIBLES

AVOID ELECTRIC SHOCKS: SWITCH OFF THE AMPLIFIER WHEN CONNECTING THE LOUDSPEAKER

DO NOT USE THE LOUDSPEAKER FOR AN EXTENDED PERIOD OF TIME AT DISTORTED SOUND. THIS COULD CAUSE PERMANENT DAMAGE.



CAUTION - SERVICING

This product contains no user serviceable parts. Refer all servicing to qualified service personnel. Do not perform any servicing (unless you are qualified to)



EC DECLARATION OF CONFORMITY

This product conforms to all the essential requirements and further relevant specifications described in following directives: 2014/30/EU (EMC) & 2014/35/EU (LVD).



WASTE ELECTRICAL AND ELECTRONIC EQUIPMENT (WEEE)

The WEEE marking indicates that this product should not be disposed with regular household waste at the end of its life cycle. This regulation is created to prevent any possible harm to the environment or human health.

This product is developed and manufactured with high quality materials and components which can be recycled and/or reused. Please dispose this product at your local collection point or recycling centre for electrical and electronic waste. This will make sure that it will be recycled in an environmentally friendly manner, and will help to protect the environment in which we all live.

Installing the CELOxl

Introduction

The CELO speakers feature a quick-fixing mechanism, which allows quick and easy installation of the loudspeakers in only a few minutes.

The installation of the CELO speakers requires a minimum amount of installation skills. Before the loudspeaker is installed, the location whereto it will be mounted should be carefully checked to make sure the surface can support the weight of the speaker and no lines for water, gas, electricity or other supplies are crossing this point.

Installation procedure

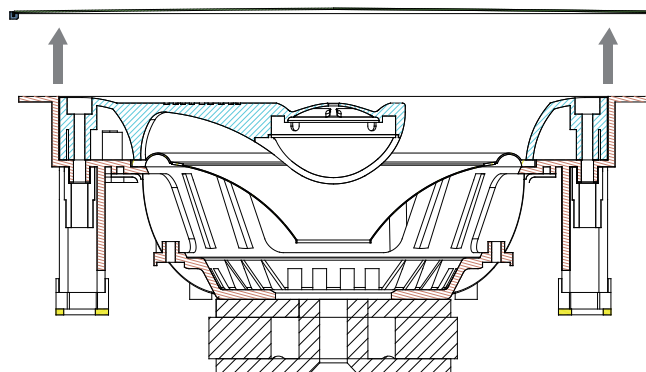
To ensure a safe and secure mounting of the loudspeaker, the installation should be done according to the procedure described below:

1) Firstly cut a hole into the surface whereto the loudspeaker should be installed with a diameter mentioned in the table below. The included cutout template can be used for an easy marking of the installation hole.

	Cut-out Measurement (Ø)
CELO2I	100 mm
CELO5I	155 mm
CELO6I	205 mm
CELO8I	245 mm

2) Provide the loudspeaker connection cable through the mounting hole. Make sure the used connection cable is sufficiently thick. The required cable thickness depends on its length.

3) Take the loudspeaker, and remove the front grill which is held in place by neodymium magnets. The front grill can be easily removed by gently pulling it.

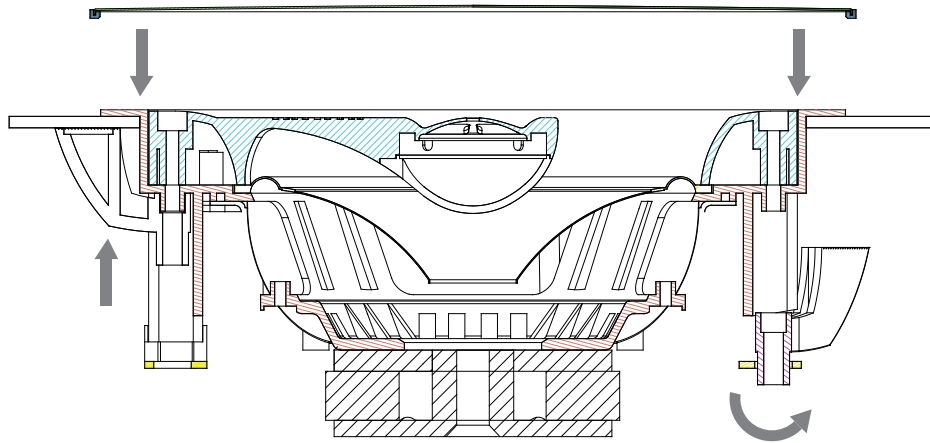


4) Connect the loudspeaker connection cable to the gold plated spring clamp connectors. Press the button of the corresponding terminal down and insert the connection cable. After releasing the button, the cable is connected to the loudspeaker. The Red terminal indicates positive (+) pole and the Black terminal indicates the negative (-) pole.

Mind the polarity markings when wiring the loudspeaker cables. Maintain the same polarity and wiring colour coding throughout the entire system to avoid any mistakes causing malfunction or distortion.

5) Once the connections are made, the loudspeaker can be installed in the provided mounting hole. Make sure the mounting clips of the loudspeaker are rotated inwards, making the speaker fit through the hole. Insert the speaker through the provided mounting hole, and use a screwdriver for tightening the fixing screws.

Once the screws are tightened a quarter turn, the mounting clip will rotate outwards and will be locked behind the surface. From then on, the loudspeaker is anchored in the surface and thus can not fall.



6) After the screws are tightened and the speaker is level with the surface, the front grill can be assembled to the loudspeaker.

Technical specifications



	CELO2I	CELO5I
Peak Power handling	40W	200W
Program Power handling	20W	100W
RMS/AES power handling	10W	50W
Nominal impedance	8 Ω (CELO2I) 16 Ω (CELO2DI)	8 Ω
Sensitivity 1W/1m	83 dB	85 dB
Sound pressure Max W/1m	93 dB	102 dB
Frequency response - 3dB	120 Hz - 20kHz	70 Hz - 20kHz
Speaker type	Full Range	2-way Coaxial
	2" aluminium membrane	HF: 1" aluminium membrane LF: 5" aluminium membrane
Cross-over network	-	Passive built-in
Cross-over frequency	-	3 kHz
Coverage	165 ° Conical	155 ° Conical
Connectors	Gold-Con™ spring clamps	
Construction	High-Quality ABS	
Front finish	Thin edged white grill (RAL9016)	
Mounting & handling	2 Screw quick-fixing mechanism	4 Screw quick-fixing mechanism
Operating temperature	-20 °C ~ 60 °C	
Colour	White (RAL9016) Black (RAL9005)	
Dimensions (Ø x d)	118 x 98 mm	180 x 86 mm
Cut-out measurement	Ø 100 mm	Ø 155 mm
Built-in depth	95 mm	83 mm
Weight	0.350 kg	1 kg
Included accessories	Cut-out template	
	GLC02I/W White grill (RAL9016)	GLC05I/W White grill (RAL9016)
Optional accessories	GLC02/B Black grill (RAL9005) GLC02/P Paintable grill	GLC05/B Black grill (RAL9005) GLC05/P Paintable grill
	WTR06 6W 100V line transformer	WTR24 24W 100V line transformer

Technical specifications



	CELO6I	CELO8I
Peak Power handling	240W	320W
Program Power handling	120W	160W
RMS/AES power handling	60W	80W
Nominal impedance	8 Ω	8 Ω
Sensitivity 1W/1m	88 dB	89 dB
Sound pressure Max W/1m	106 dB	108 dB
Frequency response - 3dB	55 Hz - 20kHz	46 Hz - 20kHz
Speaker type	2-way Coaxial	2-way Coaxial
	HF: 1" aluminium membrane	HF: 1" aluminium membrane
	LF: 6" aluminium membrane	LF: 8" aluminium membrane
Cross-over network	Passive built-in	Passive built-in
Cross-over frequency	3 kHz	3 kHz
Coverage	140 ° Conical	135 ° Conical
Connectors	Gold-Con™ spring clamps	
Construction	High-Quality ABS	
Front finish	Thin edged white grill (RAL9016)	
Mounting & handling	4 Screw quick-fixing mechanism	
Operating temperature	-20 °C ~ 60 °C	
Colour	White (RAL9016)	
	Black (RAL9005)	
Dimensions (Ø x d)	230 x 103 mm	270 x 118 mm
Cut-out measurement	Ø 205 mm	Ø 245 mm
Built-in depth	100 mm	115 mm
Weight	1.650 kg	2.250 kg
Included accessories	Cut-out template	
	GLC06I/W White grill (RAL9016)	GLC08I/W White grill (RAL9016)
Optional accessories	GLC06/B Black grill (RAL9005)	GLC08/B Black grill (RAL9005)
	GLC06/P Paintable grill	GLC08/P Paintable grill
	WTR24 24W 100V line transformer	



Discover more on audac.eu