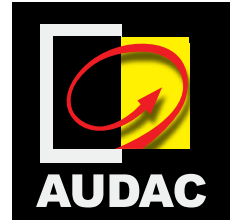
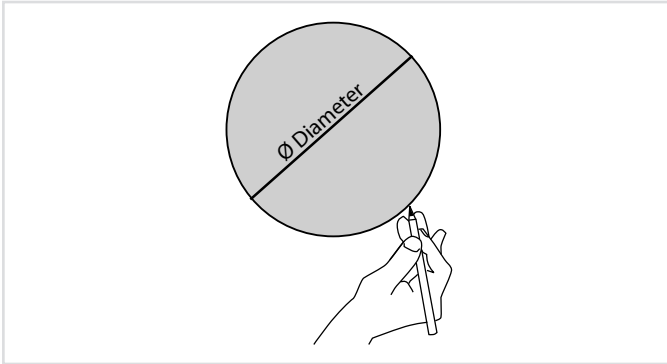


INSTALLATION MANUAL

CENA SERIES SPRING-FIT™ CEILING SPEAKERS



STEP 1

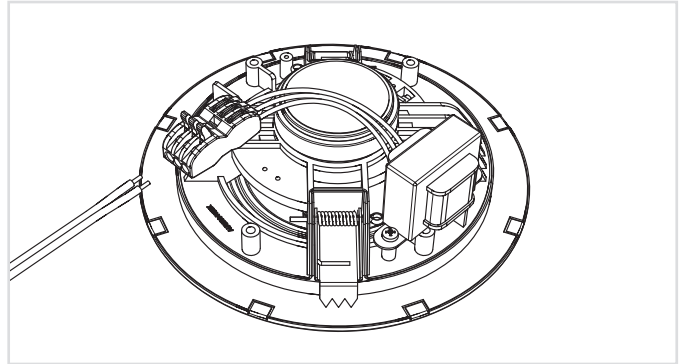


Cut a hole on the desired mounting location in the ceiling. Make sure the dimension is matching the cut-out measurement for the installing loudspeaker

- CENA306 = Ø 80 mm
- CENA506 = Ø 150 mm
- CENA706 = Ø 167 mm
- CENA812 = Ø 207 mm

Double check if there are no cables or other obstructions behind the mounting surface before making the cut-out.

STEP 2



Connect the wires coming from the amplifier to the Snap-clasp Connector on the rear of the loudspeaker.

The correct power tapping is chosen by connecting the appropriate terminals of the connector. A description of the power tap selection is shown on the magnet sticker on the rear side of the loudspeaker.

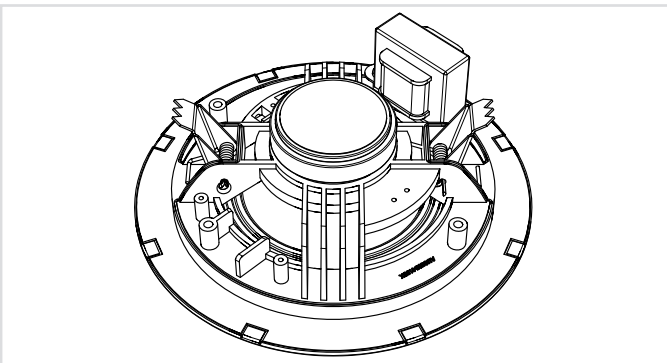
CENA306/506/706:

- Red: 6 Watt / 1667 Ω
- White: 3 Watt / 3333 Ω
- Black: COM

CENA812:

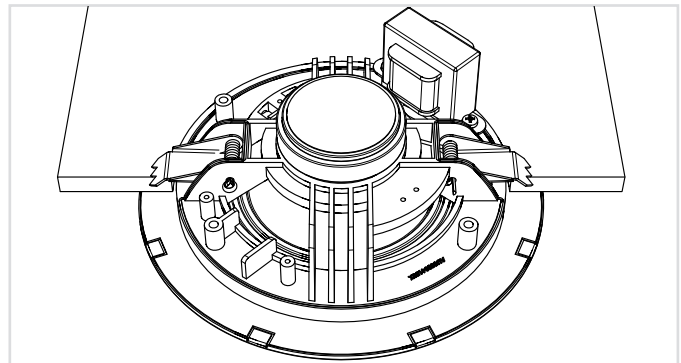
- Red: 12 Watt / 833 Ω
- White: 6 Watt / 1667 Ω
- Black: COM

STEP 3



Bend the spring loaded mounting arms inwards by pushing them by fingers, making them fit through the provided ceiling cut-out.

STEP 4

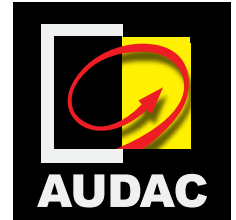


Insert the speaker through the provided ceiling cut-out, make sure the spring loaded mounting arms are behind the clamping surface and release them. The ceiling is clamped between the mounting arms and the speaker baffle and is installed correctly.

The speaker is now ready for use.

INSTALLATION MANUAL

CENA SERIES SPRING-FIT™ CEILING SPEAKERS



PRECAUTIONS

- ALWAYS KEEP THESE INSTRUCTIONS FOR FUTURE REFERENCE. NEVER THROW THEM AWAY
- ALWAYS HANDLE THIS UNIT WITH CARE
- CLEAN ONLY WITH DRY CLOTH
- HEED ALL WARNINGS AND FOLLOW ALL INSTRUCTIONS
- NEVER EXPOSE THIS EQUIPMENT TO RAIN, MOISTURE, ANY DRIPPING OR SPLASHING LIQUID.
- DO NOT INSTALL THIS UNIT NEAR ANY HEAT SOURCES SUCH AS RADIATORS OR OTHER APPARATUS THAT PRODUCE HEAT
- DO NOT PLACE THIS UNIT IN ENVIRONMENTS WITH A HIGH LEVEL OF DUST, HEAT, MOISTURE OR VIBRATION
- THIS UNIT IS DEVELOPED FOR INDOOR USE ONLY. DO NOT USE IT OUTDOORS
- ONLY USE ATTACHMENTS & ACCESSORIES SPECIFIED BY THE MANUFACTURER.
- ONLY INSTALL THE SPEAKER IN LOCATIONS THAT CAN STRUCTURALLY SUPPORT THE WEIGHT OF THE SPEAKER. IGNORING THIS CAN BRING THE SPEAKER DOWN.
- DO NOT USE ANY OTHER METHOD THAN SPECIFIED TO MOUNT THE SPEAKER. IF EXTREME FORCE IS APPLIED TO THE SPEAKER, IT COULD FALL DOWN
- ATTACH A SAFETY WIRE TO THE SPEAKER WHEN IT IS MOUNTED HIGH UP. ONLY USE INDUSTRY-ACCEPTED RIGGING TOOLS AND METHODS
- CAREFULLY CHECK THE UNIT'S CONDITION AFTER UNPACKING.
- IF THERE IS ANY DAMAGE TO THE CARTON BOX OR THE UNIT ITSELF, INFORM YOUR VENDOR IMMEDIATELY.
- ALWAYS FOLLOW THE LOCAL REGULATIONS AND REQUIREMENTS REGARDING INSTALLATION, SUSPENSION AND CONNECTION OF THIS LOUDSPEAKER. EVEN WHEN OTHERWISE SPECIFIED IN THIS DOCUMENT.
- THE INSTALLATION OF THIS LOUDSPEAKER SHALL BE DONE BY QUALIFIED PERSONNEL ONLY.
- USE CABLES OF THE RIGHT GAUGE TO CONNECT THE LOUDSPEAKER
- USE CABLES WITH CLEAR COLOR CODING INDICATING THE POLARITY AND MAINTAIN THE SAME POLARITY THROUGHOUT THE WHOLE SYSTEM.
- ONLY USE THE CORRECT AMPLIFIER OUTPUT VOLTAGE AND IMPEDANCE. EXCEEDING THESE LIMITS COULD CAUSE FIRE OR OTHER FAILURES.
- AVOID EXPLOSIONS: DO NOT USE THE SPEAKER AROUND GASOLINE, THINNER OR OTHER COMBUSTIBLES
- AVOID ELECTRIC SHOCKS: SWITCH OFF THE AMPLIFIER WHEN CONNECTING THE LOUDSPEAKER
- DO NOT USE THE LOUDSPEAKER FOR AN EXTENDED PERIOD OF TIME AT DISTORTED SOUND. THIS COULD CAUSE PERMANENT DAMAGE.

CAUTION - SERVICING

This product contains no user serviceable parts. Refer all servicing to qualified service personnel. Do not perform any servicing (unless you are qualified to do so.)

EC DECLARATION OF CONFORMITY

This product conforms to all the essential requirements and further relevant specifications described in following directives: 2014/30/EU (EMC) and 2014/35/EU (LVD)

WASTE OF ELECTRICAL AND ELECTRONIC EQUIPMENT (WEEE)

The WEEE marking indicates that this product should not be disposed with regular household waste at the end of its product life. This regulation is created to protect both the environment and human health.

This product is developed and manufactured with high quality materials and components which can be recycled and/or reused. Please dispose of this product at your local collection point or recycling center for electrical and electronic waste. Do this to make sure that the product is recycled in an environmental friendly way, and help to protect the environment in which we all live.